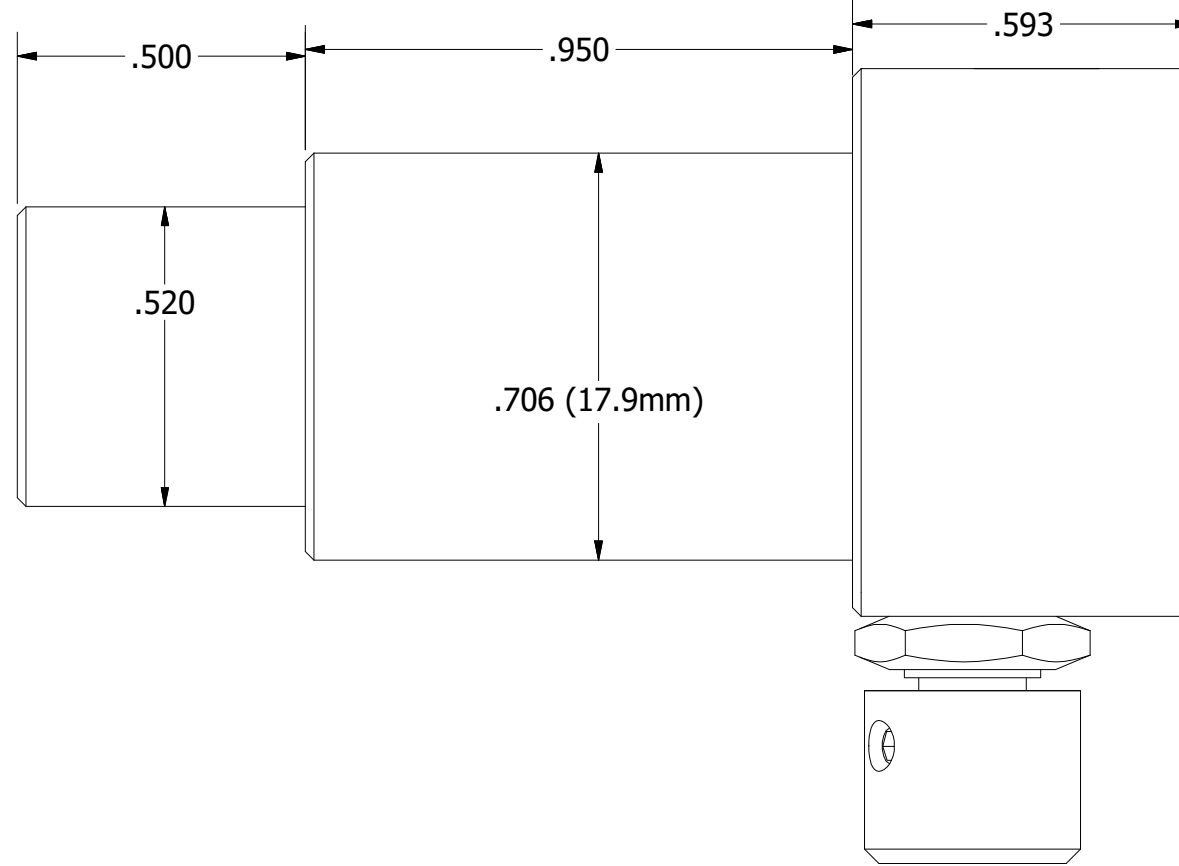
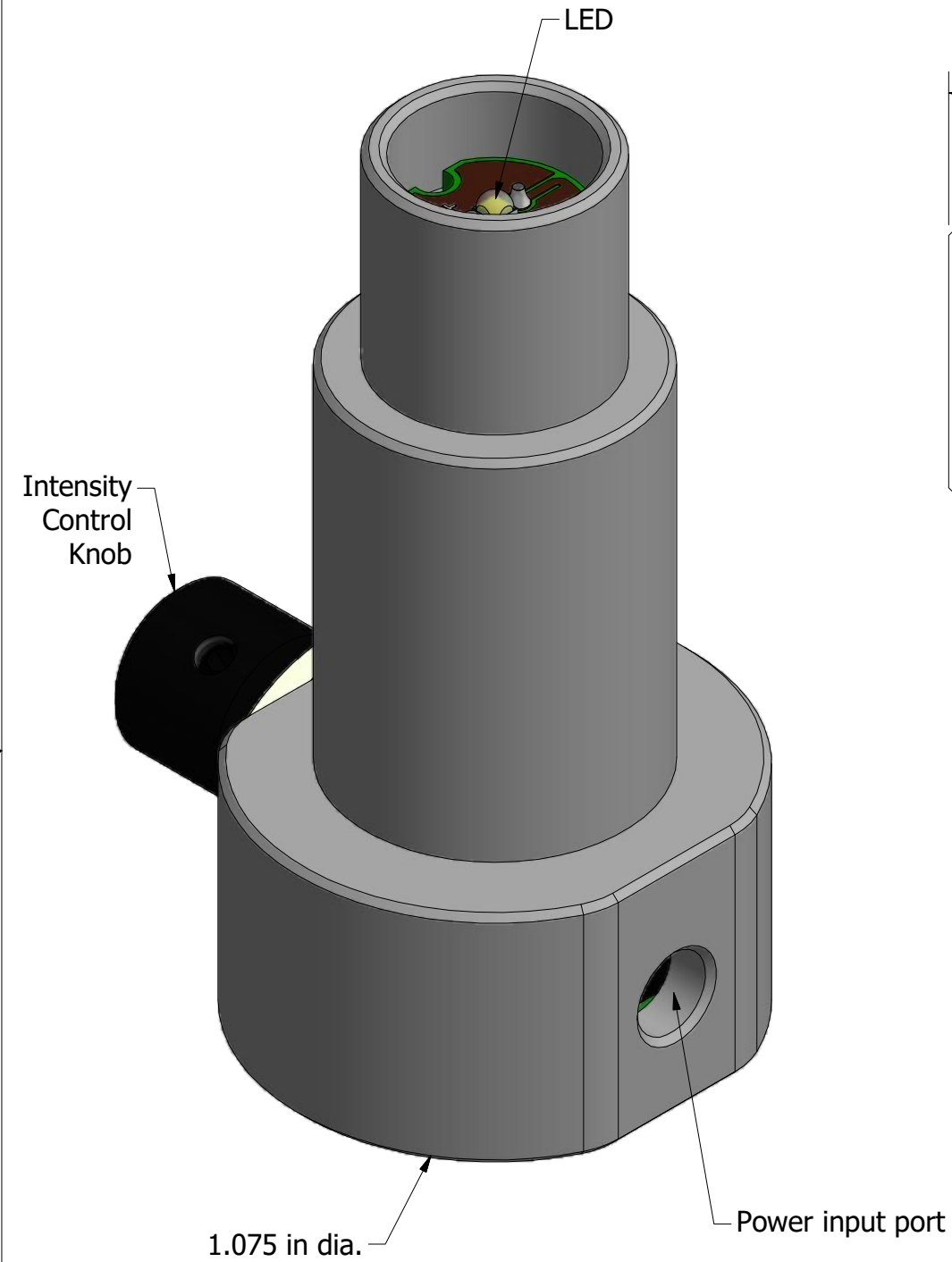


Nanodyne Replacement Illuminator for Pointer Lights: Included Items



PN 10733 Power Supply - XP Power 5V 1A and PN 10734 Cable Assy 1.35mm ID x 3.5mm OD RA plug to USB A, 6 foot.

The illuminator may be powered by plugging the cable into the power supply provided, or into a suitable USB port on a computer or other device.

Power supplies are subject to substitution without notice due to availability issues and changes in regulations.

Wayne Bonin	3/16/2019
PN 10845 Pointer Light Full Illuminator System	REV 1
SHEET 1 OF 1	